

1/2 TON LOW PROFILE TRANSMISSION JACK

Stock Number W1607

OWNERS MANUAL



▲ WARNING

It is the owner and/or operators' responsibility to study all WARNINGS, operating, and maintenance instructions contained on the product label and instruction manual prior to operation of this jack. The owner/operator shall retain product instructions for future reference.

The owner and/or operator are responsible for maintenance, maintaining all decals or warning labels and while in use, maintaining the unit in good working order. If the owner and/or operator are not fluent in English, the product warnings and instructions shall be read and discussed with the operators' native language by the purchaser/owner or his designee. Make sure that the operator comprehends its contents. Safety information shall be emphasized and understood prior to usage. The jack shall be inspected per the operating instructions.

Users of this jack must fully understand these instructions. Each person operating this jack must also be of sound mind and body and must not be under the influence of any substance that might impair their vision, dexterity, or judgment.

Protect yourself and others by observing all safety information.

Failure to comply with instructions could result in personal injury and/or property damage!

If you encounter any problems or difficulties, please contact our customer service department at: 1-800-426-1262 between 6:30 a.m. and 4:30 p.m. Pacific time.

PT
Performance Tool®

Please read these instructions carefully and retain them for future use.

On occasion, after printing of our literature is completed, our manufacturers may make changes and/or modifications to merchandise which will not be reflected in this manual. Although we strive to maintain complete and accurate information, it is possible in some instances, that the product may differ slightly from printed specifications. Illustrations are intended for reference only. Actual merchandise may vary. Wilmar is not responsible for typographical errors.

Performance Tool®

IMPORTANT SAFETY INFORMATION

Read these safety warnings before operation.

WARNING!

Failure to read, understand and follow these warnings may result in loss of load, damage to unit, and/or failure of unit resulting in personal injury or property damage.

WARNING!

1. Do not exceed 1000 lb. rated capacity.
2. Use only on hard, level surfaces.
3. Lower load slowly.
3. Inspect before every use; do not use if parts loose or damaged.
4. Do not alter the jack or use attachments and/or adapters that are not supplied by the manufacturer.
5. The warnings, precautions, and instructions discussed in this manual cannot cover all possible conditions and situations that may occur. The operator must understand that common sense and caution are factors, which cannot be built into this product, but must be supplied by the operator.
6. **DANGER: If the jack tips or leans STOP WHAT YOU'RE DOING. MOVE QUICKLY TO A SAFE DISTANCE. DO NOT TRY TO HOLD OR STEADY THE TRANSMISSION JACK. Serious personal or fatal injury may result.**

SPECIFICATIONS

Capacity:1000 lb. (453.5kg)
Minimum Lift Height:6-5/8 in. (152mm)
Maximum Lift Height:22-7/8 in. (558mm)

Meets or exceeds ASME PALD-2009
Safety Standard for Portable Automotive Lifting Devices

**Specifications are subject to
change without notice.**

CARE & MAINTENANCE

1. Visual inspection must be made before each use of this unit, checking for cracks, cracked welds and missing and/or damaged parts. Any unit that appears to be damaged in any way must be removed from service immediately.
2. **BECAUSE OF THE POTENTIAL HAZARDS ASSOCIATED WITH THE MISUSE OF EQUIPMENT OF THIS TYPE, NO MODIFICATIONS SHALL BE MADE TO THE PRODUCT.**

IMPORTANT! Before first use:

Checking/Filling Hydraulic Fluid

1. Remove the Oil Fill Plug and check the hydraulic oil level and fill to 1/4" below the fill port as needed. Use only quality hydraulic jack oil.
2. Replace the Oil Fill Plug. Thoroughly test the Jack for proper operation.
3. If it does not work properly you may need to be bleed air from its hydraulic system.

BLEEDING THE HYDRAULIC SYSTEM

1. Follow the Checking/Filling Hydraulic Fluid instructions above.
2. Turn the Release Valve counterclockwise to open it. **DO NOT REMOVE**
3. Pump the Handle up and down quickly several times this will purge air from the system.
4. Check the hydraulic oil level and fill to 1/4" below the fill port as needed.
5. Replace the Oil Fill Plug and close the Release Valve by turning it clockwise.

OPERATION

Transmission Removal

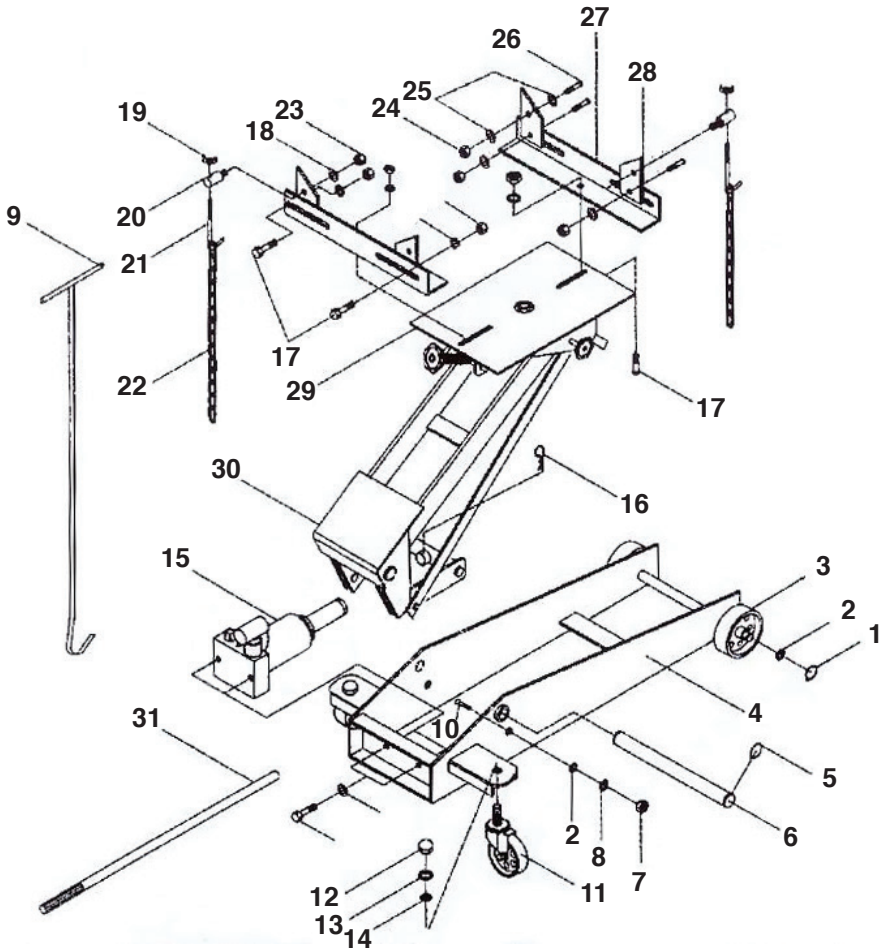
1. Once the vehicle has been raised and secured on a lift or jack stands, clear the area underneath the vehicle of all debris.
2. Move the Transmission Jack underneath the transmission. Security chains should be released from one end and ready to secure transmission.
3. Close the Release Valve near the pump actuator.
4. Pump the handle several times to raise the saddle on the Transmission Jack.
5. Just below the transmission stop and align the saddle to the Transmission with the Tilt Knobs.
6. Continue raising the saddle to the transmission. Determine where you will need to adjust the sliding saddle side supports. #27 and #28. All four sliding side supports need to be snug and in firm contact with the transmission. Loosen the threaded bolts on each support, and adjust it to the proper setting for the transmission. Tighten the bolts.
7. Raise the unit and wrap the chains #22 securely around the transmission. Hook the chain to the bracket on the other side of the saddle, and tighten the thumb screws.
8. Once it is securely fastened, remove the bolts holding the transmission in place.
9. Clear the area underneath the vehicle of parts and tools. Verify that the transmission is securely held in place, slowly open the release valve to lower the Transmission Jack.
10. Slowly roll the transmission jack from under the vehicle with the long positioning handle (9).

OPERATION

Transmission Installation

1. Slowly roll the transmission jack and transmission into place, lining it up with the connection points.
2. Close the release valve.
3. Start pumping the handle to gradually raise the transmission, while guiding it into place.
4. Reattach the transmission into place using the hardware removed earlier.
5. Double-check to make sure the transmission is securely installed, bolts, crossbars etc.
6. Turn the thumb screw to release tension from the security chain. Remove and allow the chain to hang down.
7. Slowly open the release valve to lower the Jack.
8. Remove the Transmission Jack from under the vehicle.
9. Store the Transmission Jack in its flat position.

PARTS DIAGRAM



PARTS LISTING

Part #	Description	Qty.	Part #	Description	Qty
1	14mm Snap Ring	2	17	M10 X 20 Screw	6
2	14mm Washer	4	18	10mm Washer	8
3	3.5 in. Wheel	2	19	Nylon cotter washer	2
4	Base	1	20	Connector	2
5	18mm Snap Ring	2	21	M8 X 50 Hook	2
6	18 X 22 Pin	1	22	Chain	2
7	M14 Nut	2	23	M10 Bolt	8
8	14 Washer	2	24	M8 Bolt	4
9	Positioning Handle	1	25	8mm Washer	6
10	M14 X 30 Screw	2	26	M8 X 20 Screw	4
11	3.5 in. Caster	2	27	Angle Iron	2
12	M12 Bolt	2	28	Sheet Iron	4
13	12 Washer	2	29	Transmission Platform	1
14	12 Washer	2	30	Bracket	1
15	Pump	1	31	Pump Handle	1
16	Cotter Pin	1			

WARNING!

Failure to read, understand and follow warnings may result in loss of load, damage to unit, and/or failure of unit resulting in personal injury or property damage.

LIMITED WARRANTY

PERFORMANCE TOOL® extends only the following warranties, and only to original retail purchasers. These warranties give specific legal rights. Except where prohibited by local law, the law of the State of Washington governs all warranties and all exclusions and limitations of warranties and remedies. There may be other rights which vary from state to state.

PERFORMANCE TOOL® warrants the product to be free from defects in materials and workmanship under normal use and service. A defective product may be returned for a free replacement within 90 days from the date of purchase, provided that product is returned to place of purchase immediately after discovery of defect. After 90 days and up to one year from date of purchase, PERFORMANCE TOOL® will replace at no charge any parts which our examination shall disclose to be defective and under warranty. These warranties shall be valid only when a sales receipt showing the date of purchase accompanies the defective product or defective part (s) being returned. For part (s) after 90 days, please remit your request, postage prepaid to:

PERFORMANCE TOOL, P.O. Box 88259 Tukwila, WA 98138

These warranties exclude blades, bits, punches, dies, bulbs, fuses, hoses, and other consumables which must be replaced under normal use and service. These warranties shall not apply to any product or part which is used for a purpose for which it is not designed, or which has been repaired or altered in any way so as to affect adversely its performance or reliability, nor shall these warranties apply to any product or part which has been subject to misuse, neglect, accident or wear and tear incident to normal use and service.

PERFORMANCE TOOL® does not authorize any other person to make any warranty or to assume any liability in connection with its products.

Except for warranties of title and the limited express warranties set forth above, PERFORMANCE TOOL® makes no express or implied warranties of any kind with respect to its products. In particular, PERFORMANCE TOOL® makes no implied warranty of merchantability and no implied warranty of fitness for any particular purpose, except that for goods purchased primarily for personal, family or household use and not for commercial or business use, PERFORMANCE TOOL® makes an implied warranty of merchantability (and, if otherwise applicable, an implied warranty of fitness for a particular purpose), but only for the particular qualities or characteristics, and for the duration, expressly warranted above.

The laws on limitation of implied warranties may differ from state to state, so the above limitations may not apply in all cases.

PERFORMANCE TOOL® shall not be liable for consequential, incidental or special damages resulting from or in any manner related to any product, or to the design, use, or any inability to use the product. The sole and exclusive remedy for a defective product or part shall be the repair, or replacement thereof as provided above. The laws on limitation of remedies or on consequential, incidental or special damages may vary from state to state, so the above limitations may not apply in all cases.